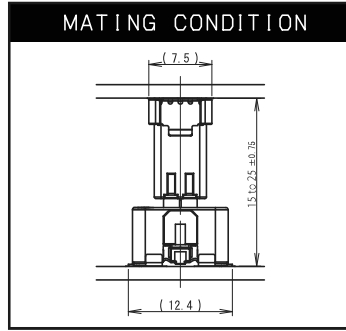
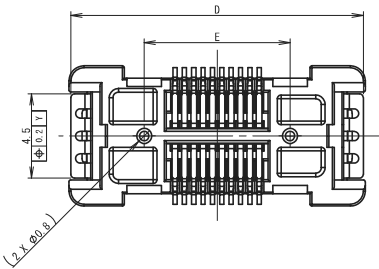
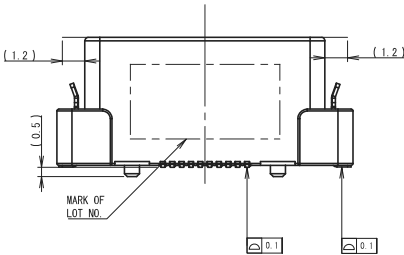
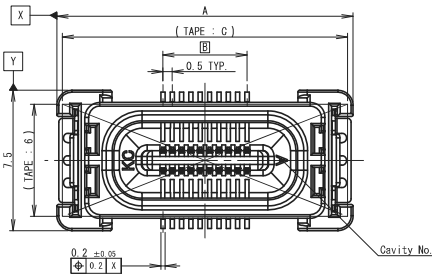


# 0.5mm Pitch 5652 Series

0.5mm ピッチ SMT フローティング  
0.5mm Pitch, SMT, Floating type

# FloXY HS

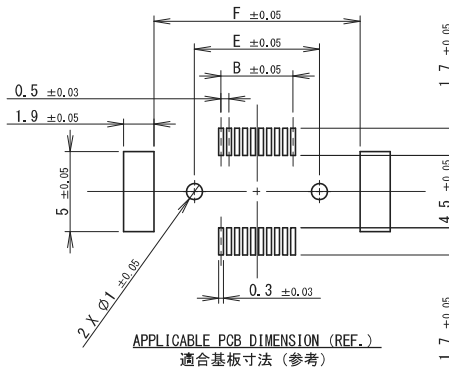
## ● Plug



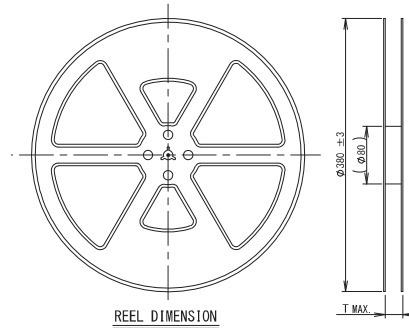
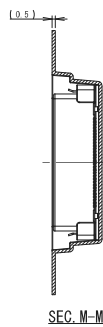
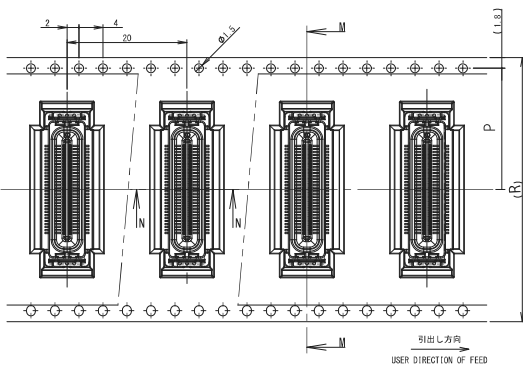
No. of Pos.	A	B	C	D	E	F
10	13.34	2	12.74	13.14	5.3	10.34
20	15.84	4.5	15.24	15.64	7.8	12.84
30	18.34	7	17.74	18.14	10.3	15.34
40	20.84	9.5	20.24	20.64	12.8	17.84
50	23.34	12	22.74	23.14	15.3	20.34
60	25.84	14.5	25.24	25.64	17.8	22.84
70	28.34	17	27.74	28.14	20.3	25.34
80	30.84	19.5	30.24	30.64	22.8	27.84
90	33.34	22	32.74	33.14	25.3	30.34
100	35.84	24.5	35.24	35.64	27.8	32.84
110	38.34	27	37.74	38.14	30.3	35.34
120	40.84	29.5	40.24	40.64	32.8	37.84
130	43.34	32	42.74	43.14	35.3	40.34
140	45.84	34.5	45.24	45.64	37.8	42.84
150	48.34	37	47.74	48.14	40.3	45.34
160	50.84	39.5	50.24	50.64	42.8	47.84
170	53.34	42	52.74	53.14	45.3	50.34
180	55.84	44.5	55.24	55.64	47.8	52.84

嵌合高さ Stacking Height	H
15.0mm	6.95
20.0mm	11.95
25.0mm	16.95

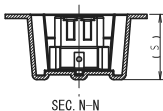
※その他の嵌合高さについてはお問合せ下さい。  
For other stacking heights, please contact us.



## ● Packaging



No. of Pos.	R	P	T
10	32	14.2	38.4
20	32	14.2	38.4
30	44	20.2	50.4
40	44	20.2	50.4
50	44	20.2	50.4
60	44	20.2	50.4
70	44	20.2	50.4
80	56	26.2	62.4
90	56	26.2	62.4
100	56	26.2	62.4
110	56	26.2	62.4
120	56	26.2	62.4
130	72	34.2	78.4
140	72	34.2	78.4
150	72	34.2	78.4
160	72	34.2	78.4
170	72	34.2	78.4
180	72	34.2	78.4



嵌合高さ Stacking Height	S
15.0mm	8.3
20.0mm	13.3
25.0mm	18.5

RoHS 対応品  
RoHS Compliant Product

本カタログには推奨めっきを掲載しております。めっき種類・仕様、ならびに生産対応可能極数については営業部にご確認願います。  
Recommended plating types are mentioned in this catalogue. For other plating types and their specifications, and available numbers of positions, please feel free to contact our sales department.

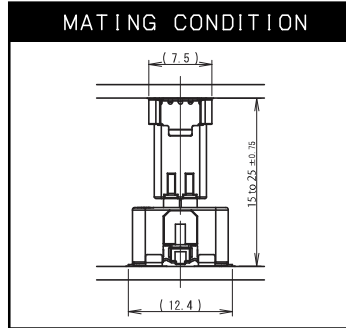
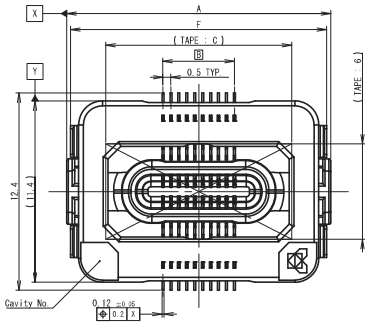
015B-2012-0  
020D-2012-0  
025A-2012-0

# 0.5mm Pitch 5652 Series

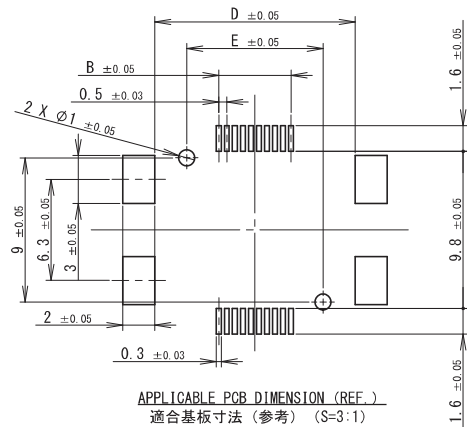
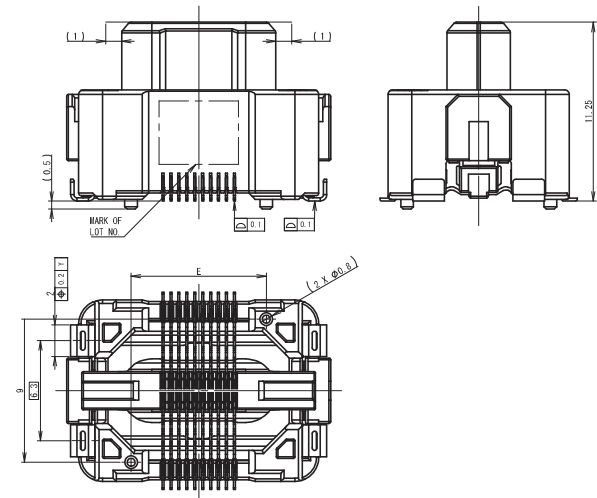
0.5mm ピッチ SMT フローティング  
0.5mm Pitch, SMT, Floating type

# FloXY HS

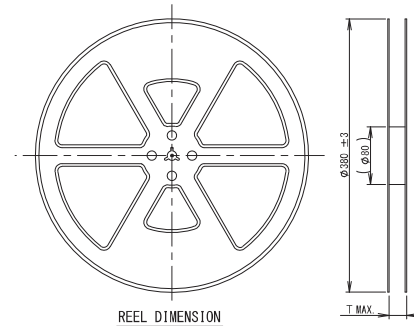
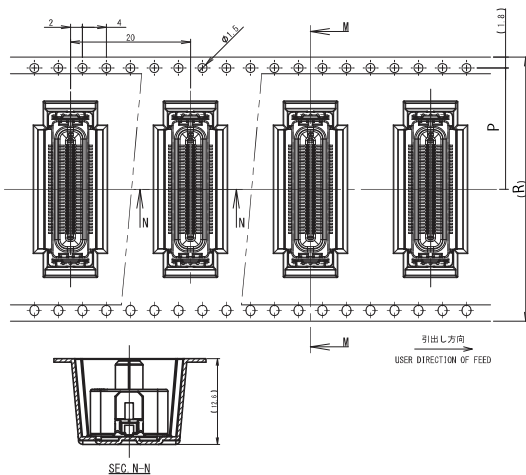
## ● Receptacle



No. of Pos.	A	B	C	D	E	F
10	14.1	2	9.2	10	6	13.6
20	16.6	4.5	11.7	12.5	8.5	16.1
30	19.1	7	14.2	15	11	18.6
40	21.6	9.5	16.7	17.5	13.5	21.1
50	24.1	12	19.2	20	16	23.6
60	26.6	14.5	21.7	22.5	18.5	26.1
70	29.1	17	24.2	25	21	28.6
80	31.6	19.5	26.7	27.5	23.5	31.1
90	34.1	22	29.2	30	26	33.6
100	36.6	24.5	31.7	32.5	28.5	36.1
110	39.1	27	34.2	35	31	38.6
120	41.6	29.5	36.7	37.5	33.5	41.1
130	44.1	32	39.2	40	36	43.6
140	46.6	34.5	41.7	42.5	38.5	46.1
150	49.1	37	44.2	45	41	48.6
160	51.6	39.5	46.7	47.5	43.5	51.1
170	54.1	42	49.2	50	46	53.6
180	56.6	44.5	51.7	52.5	48.5	56.1



## ● Packaging



No. of Pos.	R	P	T
10	32	14.2	38.4
20	32	14.2	38.4
30	44	20.2	50.4
40	44	20.2	50.4
50	44	20.2	50.4
60	44	20.2	50.4
70	44	20.2	50.4
80	56	26.2	62.4
90	56	26.2	62.4
100	56	26.2	62.4
110	56	26.2	62.4
120	56	26.2	62.4
130	72	34.2	78.4
140	72	34.2	78.4
150	72	34.2	78.4
160	72	34.2	78.4
170	72	34.2	78.4
180	72	34.2	78.4

RoHS 対応品  
RoHS Compliant Product

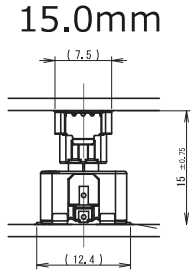
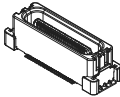
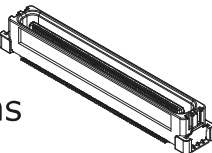
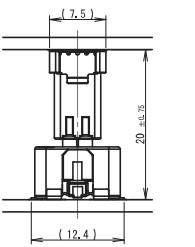
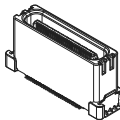
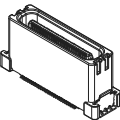
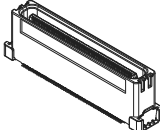
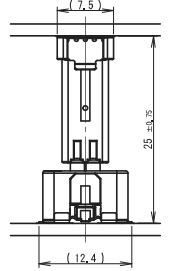
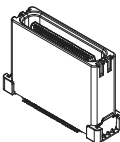
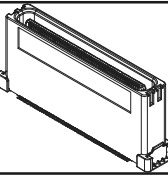
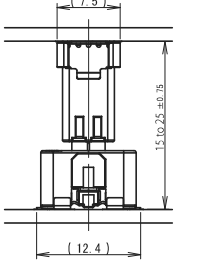
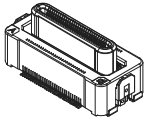
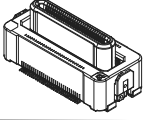
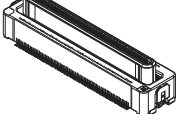
本カタログには推奨めっきを掲載しております。めっき種類・仕様、ならびに生産対応可能極数については営業部にご確認願います。  
Recommended plating types are mentioned in this catalogue. For other plating types and their specifications, and available numbers of positions, please feel free to contact our sales department.

**0.5mm Pitch  
5652 Series**

0.5mm ピッチ SMT フローティング  
0.5mm Pitch, SMT, Floating type

**FloXY HS**

注文コード/Ordering Code ※その他の嵌合高さについてはお問合せ下さい。  
For other stacking heights, please contact us.

嵌合高さ Stacking Height	極数 No. of Positions	型番 Part No.	梱包数 Packing Quantity
<b>15.0mm</b> 	10 to 100Pins 	<b>14 5652 XXX 15X 829+T</b> 極数 No. of Pos. 4 : ボス無 Without boss 5 : ボス有 With boss	550
	110 to 180Pins 	<b>14 5652 XXX 15X 829+T</b> 極数 No. of Pos. 6 : ボス無 Without boss 7 : ボス有 With boss	550
<b>20.0mm</b> 	60Pins 	<b>14 5652 060 20X 829+T</b> 0 : ボス無 Without boss 1 : ボス有 With boss	350
	10 to 100Pins Except 60Pins 	<b>14 5652 XXX 20X 829+T</b> 極数 No. of Pos. 4 : ボス無 Without boss 5 : ボス有 With boss	350
	110 to 180Pins 	<b>14 5652 XXX 20X 829+T</b> 極数 No. of Pos. 6 : ボス無 Without boss 7 : ボス有 With boss	350
<b>25.0mm</b> 	10 to 100Pins 	<b>14 5652 XXX 25X 829+T</b> 極数 No. of Pos. 4 : ボス無 Without boss 5 : ボス有 With boss	200
	110 to 180Pins 	<b>14 5652 XXX 25X 829+T</b> 極数 No. of Pos. 6 : ボス無 Without boss 7 : ボス有 With boss	200
<b>15 to 25mm</b> 	60Pins 	<b>24 5652 060 00X 829+T</b> 0 : ボス無 Without boss 1 : ボス有 With boss	350
	10 to 100Pins Except 60Pins 	<b>24 5652 XXX 00X 829+T</b> 極数 No. of Pos. 4 : ボス無 Without boss 5 : ボス有 With boss	350
	110 to 180Pins 	<b>24 5652 XXX 00X 829+T</b> 極数 No. of Pos. 6 : ボス無 Without boss 7 : ボス有 With boss	350

Plug

Receptacle