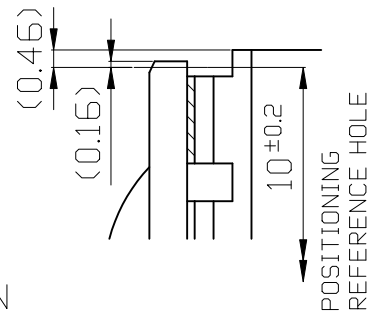
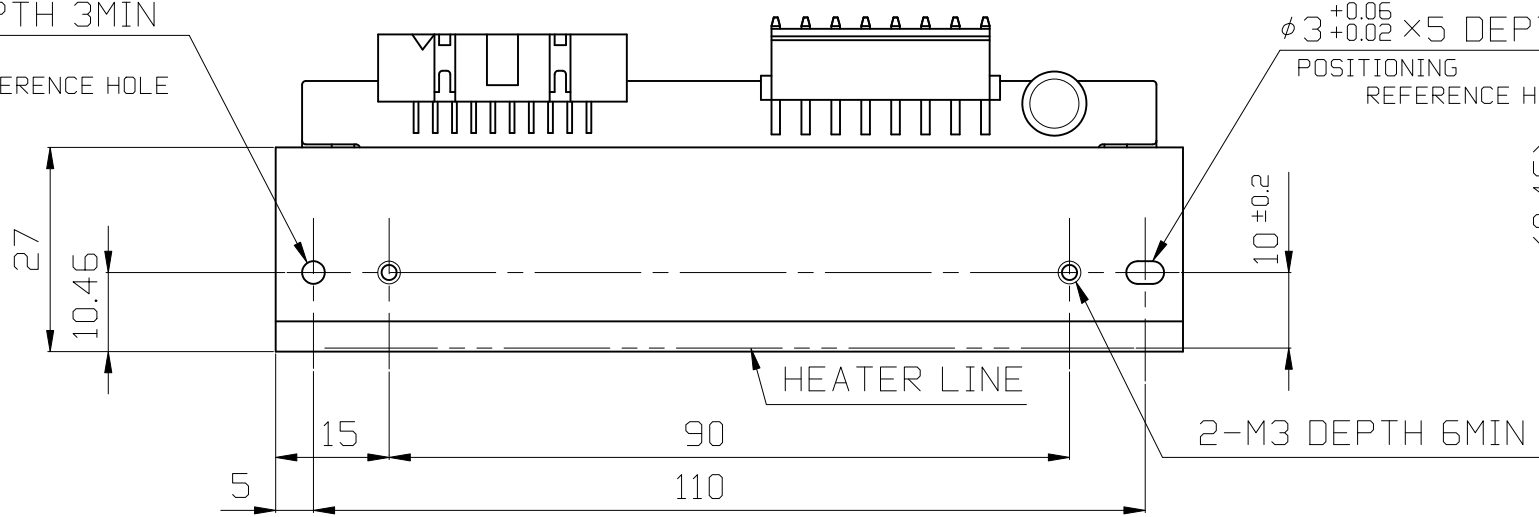


SIGNAL SIDE

POWER SIDE

$\phi 3^{+0.06}_{+0.02}$ DEPTH 3MIN
POSITIONING
REFERENCE HOLE

$\phi 3^{+0.06}_{+0.02} \times 5$ DEPTH 3MIN
POSITIONING
REFERENCE HOLE



DETAIL "A"

KCE-106-24PAS4-PFS