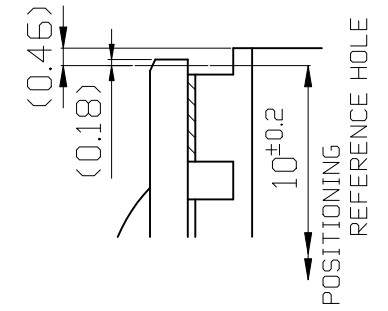
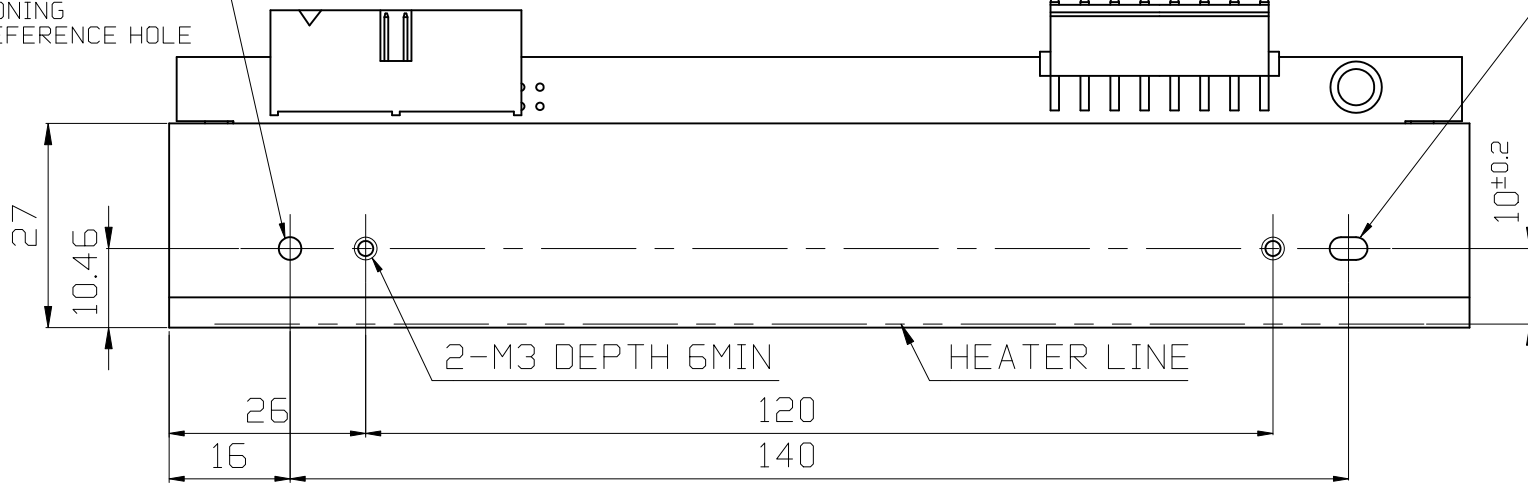


$\phi 3^{+0.06}_{+0.02}$ DEPTH 3MIN
POSITIONING REFERENCE HOLE

$\phi 3^{+0.06}_{+0.02} \times 5$ DEPTH 3MIN
POSITIONING REFERENCE HOLE



DETAIL "A"

KCE-160-12PAT2-PFS